



INTRODUCTION TO HALL-EFFECT SWITCHES AND CONVERSION FROM MECHANICAL SWITCHES

By Joseph Hollins
Allegro MicroSystems

Abstract

Hall-effect switch integrated circuits (ICs) offer a variety of benefits when used as replacements for mechanical switches. Over time, mechanical switches with moving parts tend to wear out, resulting in degradation of switching consistency and requiring premature repairs or replacements. Hall-effect switch IC technology offers a solid-state sensing solution when seeking replacements for an application’s mechanical components, but at first glance may appear difficult to simply “drop-in.”

This application note will discuss the technical considerations necessary to aid with the replacement of an on/off mechanical switch with a Hall-effect switch. Included are an overview of the basic process for converting existing systems and discussion about the numerous advantages gained when upgrading to a contactless Hall-effect switch.

Hall-Effect, Reed, and Micro-Switches: Advantages and Disadvantages

Table 1 offers an overview of the three switch solutions discussed in this document. Both a reed switch and a Hall-effect switch employ contactless sensing architecture that actuates an output signal in response to a magnetic field. The third commonplace technology is the micro-switch, which is operated by physical contact with the switch actuator and does not typically require the use of a magnetic field. Out of the three switch technologies discussed here, a micro-switch is perhaps the most susceptible to mechanical damage because it contains multiple components subject to contact wear. This includes the internal contact terminals and the external actuator surface. Long-life applications will be at a disadvantage if a micro-switch is employed.

While reed switches comprise a reduced quantity of

Table 1. Switch Technology Comparison

Parameter	Hall-Effect [1]	Reed	Micro-Switch
Accuracy Over Time	Best	Good	Good
Reliability/Wear	Best	Better	Good
Temperature Stability/Compensation	Best	Good	Good
Magnetic Field Required?	Yes	Yes	No
Actuation	Contactless	Contactless	Contact
Operation	Solid State	Mechanical	Mechanical
Current Consumption, Standby	6 μ A	0 μ A	0 μ A
Current Throughput	40 mA	> 1 A	> 1 A
Fault Detection [2]	Best	Low	Low
Susceptibility to Damage from Over-Current Events	Low	High	High

[1] Reference Hall-effect switch is the APS11700. Refer to the device datasheet for specific recommendations and guidelines.

[2] Fault detection-capable switches available; contact Allegro for details.

wear points over micro-switches, Hall-effect switches are not subject to wear and offer a predictable and reliable performance capability over the lifetime of an application. Allegro Hall-effect switches offer extremely consistent magnetic switching performance and carry the qualifications required for a dependable service life.

Finally, mechanical switches have led the market in power consumption and resulting energy efficiency. Unlike reed and micro-switches, Hall-effect switches consume power during all modes of operation. Recently, innovative micropower Hall-effect switches such as the Allegro APS11700 and APS11760 have broken this barrier and consume less than 20 μW (6 μA at 3.3 V) during standby operation, allowing them to fulfill new energy requirements.

Hall-Effect Switch

Allegro's Hall-effect switch ICs include a fully temperature-compensated signal path. The Hall-effect switch, in its most basic form, consists of a Hall element, amplifier, signal filters, threshold comparator(s), and a transistor output. Traditionally, the devices employ an open-drain transistor for the output which connects the output pin to ground once actuated by either the detection or absence of a magnetic field. An example block diagram is shown in Figure 1.

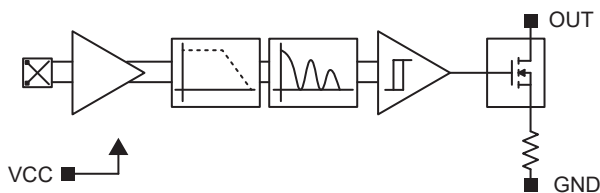


Figure 1. Hall-Effect Switch IC Block Diagram

When considering the replacement of a two-terminal mechanical switch with a three-terminal Hall-effect sensor, Allegro has a circuit configuration recommendation; this simple circuit is discussed in the Conversion section of this document. For the purpose of this document's example application, the three-pin Allegro APS11700LLHA-OPH micropower Hall-effect switch is used. For further information on the Allegro APS11700, refer to the product datasheet found on www.allegromicro.com.

Reed Switch

Reed switches offer high isolation and operate in an inductive manner similar to that of a Hall-effect sensor. Instead of using a Hall-effect sensing element (i.e. Hall-effect plate) to generate a proportional internal voltage and actuate the output, a reed switch actuates the connection or disconnection between its internal contacts through induction as a direct result of the applied magnetic field.

The ferrous reed blades within a reed switch are considered components of the magnetic circuit, and their contact surfaces are the primary locations which suffer from wear and tear, thus affecting the magnetic circuit. The lifetime expectancy of a reed switch corresponds heavily with the loading conditions being used, as the contact surfaces can become high resistance or disintegrate.

Micro-Switch

Micro-switches rely on direct physical contact with the object (i.e. target) being sensed. These types of switches are similar to reed switches in that their operation is mechanical and results in the connection or disconnection between internal metal contact surfaces. For the reasons discussed above, metal contacts are disadvantageous for some applications.

Unlike a magnetically actuated sensor such as a Hall-effect switch or a reed switch, a micro-switch is actuated directly or indirectly by making contact with the object being detected. Hall-effect switches and reed switches are contactless, and by means of an applied magnetic field, they can detect movement through a non-metallic obstruction.

POWER CONSUMPTION

Power consumption is a critical parameter for those considering changing from a passive component such as a reed switch to an active component like a Hall-effect switch. Traditional Hall-effect sensors consume around 20 mW of energy in a 3.3 V system. However, recent developments such as the APS11700 family of micropower Hall-effect switches enable much lower power consumption, as low as 16 μW in a 3.3 V system. See Figure 2 for characterization plots.

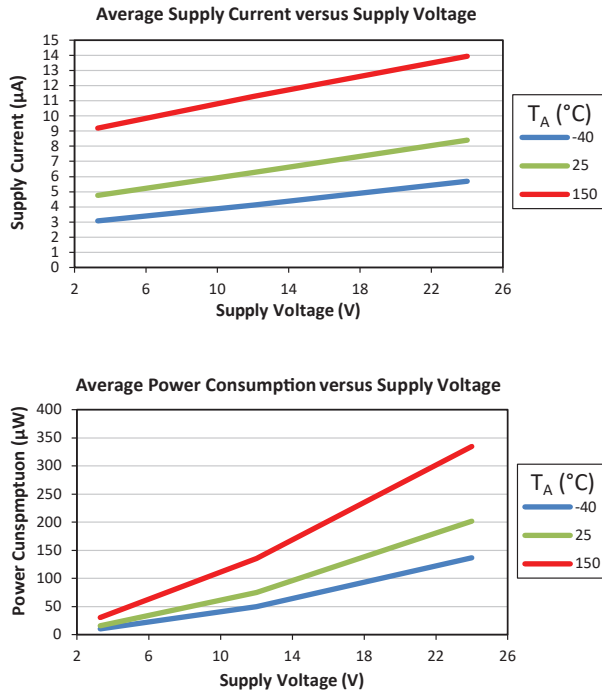


Figure 2. Average Supply Current and Power Consumption, APS11700 Micropower

TEMPERATURE STABILITY

Systems employing a permanent magnet should expect to have a change in the magnetic field strength when exposed to high and low temperatures. In applications such as household appliances, this effect is nominal. However, where large temperature fluctuations are expected and/or where optimized switching performance is required, a Hall-effect sensor is a superior choice over its mechanical counterparts.

Allegro’s Hall-effect switches incorporate several key features for stable performance across temperature. First, an averaging technique named chopper stabilization enables the cancellation of environmentally induced stresses such as thermal expansion.

The second feature is the Hall-effect switch sensitivity temperature coefficient. When sensing some magnetic materials, such as samarium-cobalt, a drift in magnetic field strength over temperature will occur. The switch usually needs to become more sensitive as the magnet strength decreases (higher temperatures) and less sensitive when the magnet strength increases (lower temperatures). As a result of this feature, the on and off thresholds of the switch can be dynamically matched to the expected magnetic

field drift, or if no drift is expected, the thresholds can remain at a fixed level over temperature. This behavior is depicted in Figure 3.

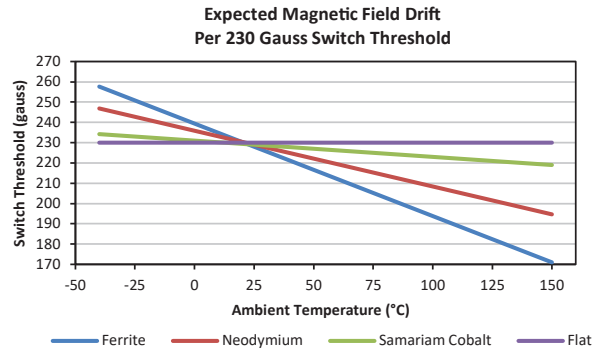


Figure 3. Expected Magnetic Field Drift and Threshold Tracking

CONVERSION

Converting from a reed or a micro-switch to a Hall-effect switch can be completed more easily after following the techniques used in this application guide. The main obstacles encountered when retrofitting a Hall-effect switch into an existing mechanical switch application are listed below:

1. The implementation of a permanent magnet (existing micro-switch applications)
2. The backwards compatibility of the voltage signals for the on and off switch states

Allegro’s recommended permanent magnet suppliers can be found on the Insights and Innovations section of our website, www.allegromicro.com/Insights-and-Innovations. The type of magnet chosen should depend on system requirements, but typically a small axially magnetized cylinder or block magnet, as pictured in Figure 4, can be used.

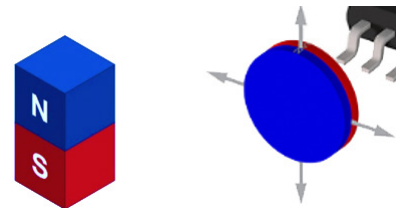


Figure 4. Axially Magnetized Magnets

The remainder of this document will focus on configuring the Hall-effect switch electrical circuit so that its output signals are backwards-compatible with existing software or signal voltage level requirements.

Example: Mechanical Switch Replacement

In this example, a micro-switch in a refrigerator door application is being replaced. Here, a magnet is not currently used. For detailed discussion on magnet attributes, design guidelines, and selection, consult the Hall-Effect IC Applications Guide, AN27701, found on the Allegro website.

Before the conversion, the system operates as follows: the micro-switch is physically released and depressed when the refrigerator door is opened and closed. This in turn controls the illumination within the refrigerator's interior cooling area.

Replacing the micro-switch with a Hall-effect switch will require the same electrical signals to be generated for indicating the "closed" and "opened" door positions. The Hall-effect switch in this example has three terminals: VCC, VOUT, and GND. These three terminals can be reduced into the two wires needed for backwards compatibility with the micro-switch circuit. These wires are depicted as node A and node B in Figure 5.

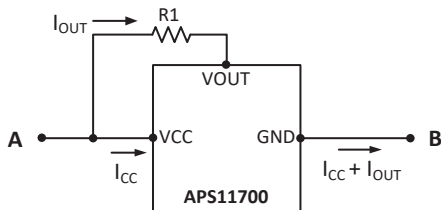


Figure 5. Two-Wire Circuit for APS11700

In this example, the Hall-effect switch VOUT pin leakage current ($< 1 \mu\text{A}$) is nominal and not considered.

CIRCUIT AND OPERATION: A two-wire circuit with a three-pin device such as the APS11700 can be achieved by using a correctly sized pull-up resistor, R1, connected between the open-drain VOUT pin and the VCC pin, as shown in Figure 5. This allows wires/nodes A and B to be routed to the controller circuit.

In this example, the door-closed position corresponds with the presence of a magnet and the Hall-effect switch output is in the OFF state. The open position, when the door and magnet are pulled away from the Hall-effect switch, corresponds with the sensor output in the ON state.

FORMULA REPRESENTATION: The two door positions, open and closed, can be distinguished by the two discrete voltage levels measured across a sense resistor, for example, R2 in Figure 6. A voltage is generated at the I/O node as a result of the current flowing through the resistor.

During the door closed condition, the only current flowing through R2 is the Hall-effect switch supply current, I_{CC} , which flows into the Hall-effect switch VCC pin and exits through the GND pin, eventually passing through R2 to ground. This level is identified as $V_{R2(\text{CLOSED})}$.

In the complementary state, the door-opened condition, the Hall-effect switch output sink current is added. The output sink current flows into the VOUT pin and also exits through the GND pin, increasing the overall current passing through R2. This level is identified as $V_{R2(\text{OPENED})}$. Both conditions are described below.

Equation 1:

$$\text{Closed State: } V_{R2(\text{CLOSED})} = I_{CC} \times R_2$$

Equation 2:

$$\text{Opened State: } V_{R2(\text{OPEN})} = (I_{CC} + I_{OUT}) \times R_2$$

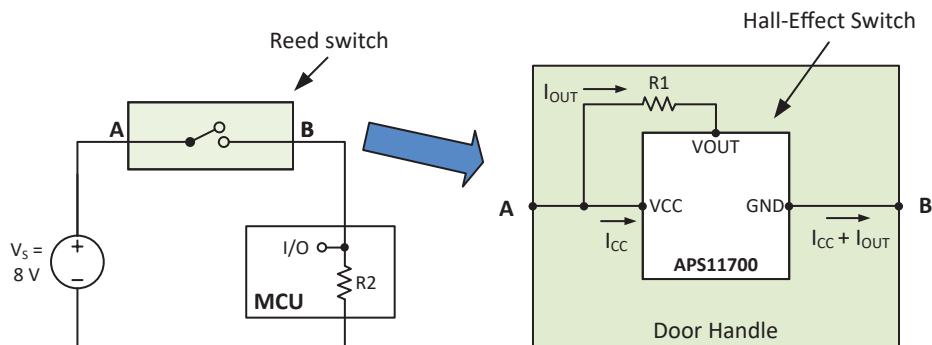


Figure 6. Refrigerator Door Micro-Switch Conversion Circuit

Equation 1 and 2 shown above represent the voltage measured across the controller's sense resistor, R₂, for the two operating positions of the example system's door. Voltage ranges for these two door handle positions can be determined by considering several specification limits

on the Hall-effect switch datasheet. These include Supply Current, I_{CC}, and Output Saturation Voltage, V_{OUT(SAT)}, which are shown in Table 2. Next, look at a key specification from the APS11700 datasheet to calculate the remaining value, I_{OUT}, and ultimately V_{R2} for the two door positions.

Table 2. APS11700 Datasheet Specification

Parameter	Symbol	Min.	Typ.	Max.	Unit
Average Supply Current (–40°C to +85°C)	I _{CC}	2	6	15	μA
Output Saturation Voltage	V _{OUT(SAT)}	–	100	500	mV

The output current, I_{OUT}, can be determined by the equation below, using the typical values from Table 2, with R₁ = 280 Ω and R₂ = 280 Ω:

Output Current:

$$I_{OUT} = (V_S - I_{CC} \times R_2) / (R_1 + R_2)$$

$$I_{OUT} = (8\text{ V} - 6\ \mu\text{A} \times 280\ \Omega) / (280\ \Omega + 280\ \Omega)$$

$$I_{OUT} = (8\text{ V} - 1.7\text{ mV}) / (560\ \Omega) = 14.3\text{ mA}$$

Then, by using Equation 1 and Equation 2, solve for V_{R2} using the typical values from Table 2:

Closed State:

$$V_{R2(CLOSED)} = 6\ \mu\text{A} \times 280\ \Omega = 1.7\text{ mV}$$

Opened State:

$$V_{R2(OPEN)} = (6\ \mu\text{A} + 14.3\text{ mA}) \times 280\ \Omega = 4.0\text{ V}$$

In this installation, a lookup table such as that in Table 3 may be created to identify the state of the door. Factors influencing the voltage ranges may include supply voltage tolerances, resistor tolerances, and Hall-effect switch datasheet limits. Proper consideration must be taken to ensure the voltage across the Hall-effect switch VCC and GND terminals exceeds the supply voltage requirements from the datasheet. For this example with the APS11700, greater than 3.3 V is retained across the terminals at all times.

Table 3. V_{R2} Voltage Level Ranges

Door State	Min.	Typ.	Max.	Unit
Closed	1	1.7	2.4	mV
Opened	3.75	4.0	4.25	V

Conclusions

Digital position Hall-effect switches can enable significant enhancements to systems currently employing mechanical reed or micro-switches and are also an excellent choice for new switch applications. By using a micropower Hall-effect switch such as the Allegro APS11700, power consumption is minimized to below 20 μW.

While not discussed in this document, other three-terminal Hall-effect switches can be employed in the same manner as a mechanical switch replacement and may enable additional open-circuit or short-circuit detection capability. Devices such as the APS11450 diagnostic Hall-effect switch dynamically control the output current, I_{OUT}, in such a manner that various circuit faults can be easily detected.

The benefits provided by a solid-state component such as a Hall-effect switch range from accuracy and durability, to transient rejection and open/short-circuit protection. The contactless nature of a magnetic sensor reduces system wear and accuracy drift over time, retaining the optimized performance attained during the original design. Applications using micro-switches will need to implement a low-cost permanent magnet, but the final system will be much less susceptible to mechanical wear and tear. In many cases, the Hall-effect switch application circuit can be configured for backwards compatibility.

Allegro's APS11700 and APS11760 micropower vertical and planar Hall-effect switches are the first micropower Hall-effect sensors to enable up to 24 V supply operation, yet also allowing just 3.3 V operation to absolutely minimize the power consumption. For a full list of Hall-effect switches, visit the Allegro MicroSystems website.

Revision History

Number	Date	Description	Responsibility
-	May 11, 2020	Initial release	J. Hollins

Copyright 2020, Allegro MicroSystems.

The information contained in this document does not constitute any representation, warranty, assurance, guaranty, or inducement by Allegro to the customer with respect to the subject matter of this document. The information being provided does not guarantee that a process based on this information will be reliable, or that Allegro has explored all of the possible failure modes. It is the customer's responsibility to do sufficient qualification testing of the final product to ensure that it is reliable and meets all design requirements.

Copies of this document are considered uncontrolled documents.